

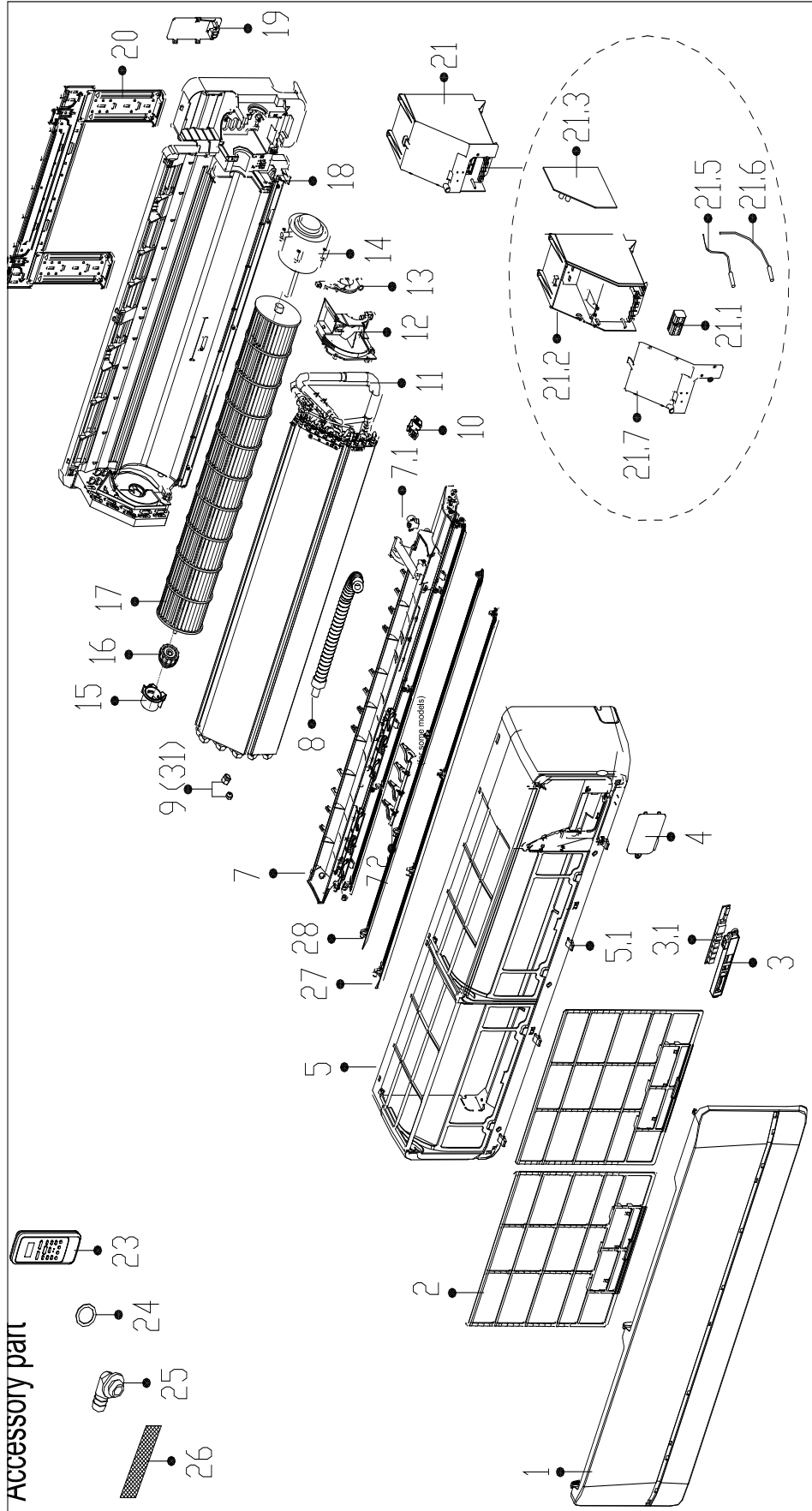


PARTS LIST

**Inverter Single Zone
Indoor Ductless Mini-Split**

B-VMH24SU-1A

EXPLODED VIEW



REPLACEMENT PARTS

Location	Part Name	Quantity	Part No.
1	Panel assembly	1	12122000A07397
2	Air filter	2	12100204000467
3	Display box subassembly	1	17222000A54734
3.1	Display board subassembly	1	17122000A34876
4	Cover of electrical equipment	1	12122000006694
5	Panel frame assembly	1	12122000A08690
5.1	Screw Cap	4	12122000006272
7	Air outlet assembly	1	12122000008963
7.1	Stepper motor	1	11002010000047
7.2	Horizontal louver	3	12122000008276
8	Drain hose	1	12100501000021
9	Copper nut	1	15500406000003
9	Copper nut	1	15500406000010
10	Fixed clamp of temperature sensor	1	12122000024323
11	Evaporator assembly	1	15822000A16159
12	Fan motor cover	1	12122000005509
13	Fixing board of fan motor	1	12122000006772
14	Brushless DC Motor	1	11002015000056
15	Bearing holder	1	12122000000350
16	Bearing base	1	12622000000006
17	Cross flow fan	1	12100102000001
18	Chassis Assembly	1	12122000A08691
19	pipe clamp board	1	12122000000460
20	Installation Plate	1	12222000000048
21	Electronic control box subassembly (Mid-and low-end)	1	17222000033797
21.1	Wire joint	1	17400401A00046
21.2	Electronic control box	1	12122000004617
21.3	Main control board subassembly	1	17122000044839
21.5	Room temperature sensor	1	11201007003424
21.6	Pipe Temperature Sensor	1	11201007003447
21.7	Cover of electronic control box	1	12122000005040
23	Remote controller	1	17317000A51872
24	seal ring	1	12600701000039
25	Drain hose	1	12100509000061
26	Air freshening filter	2	12100206000056
27	Horizontal louver	1	12122000006181
28	Horizontal louver	1	12122000008085
32	Display box subassembly	1	17222000A01170
32.1	Adapter plate subassembly	1	17122000046739
42	Detection valve	1	15500209000002
45	Bracket of remote Controller	1	12122000027147

Due to ongoing product improvements, specifications and dimensions are subject to change and correction without notice or incurring obligations. Determining the application and suitability for use of any product is the responsibility of the installer. Additionally, the installer is responsible for verifying dimensional data on the actual product prior to beginning any installation preparations.

Incentive and rebate programs have precise requirements as to product performance and certification. All products meet applicable regulations in effect on date of manufacture; however, certifications are not necessarily granted for the life of a product. Therefore, it is the responsibility of the applicant to determine whether a specific model qualifies for these incentive/rebate programs.



1900 Wellworth Ave., Jackson, MI 49203 • Ph. 517-787-2100 • www.comfort-aire.com • www.century-hvac.com